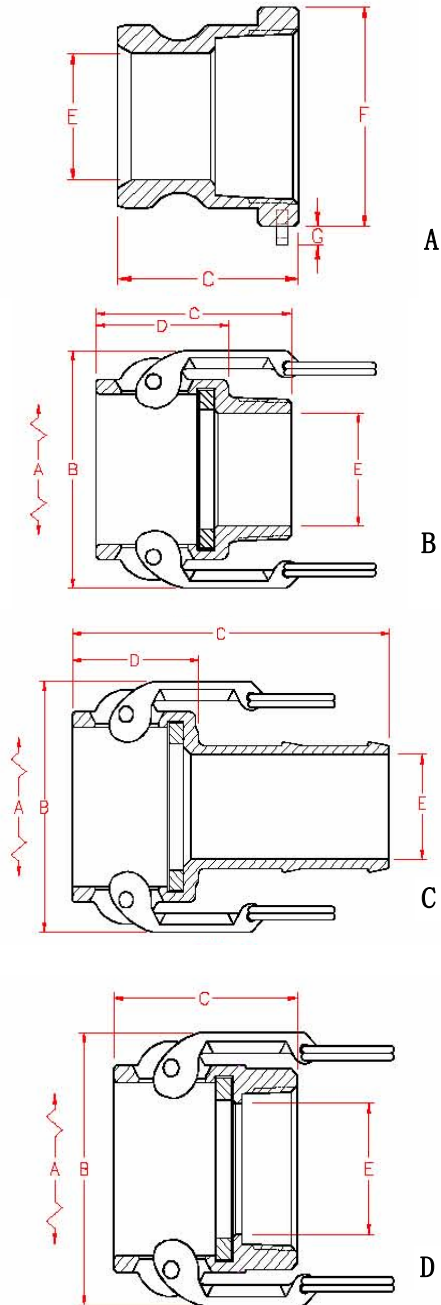


QINGDAO V. G. R. CO. LTD
QUICK COUPLER GENERAL DIMENSIONS



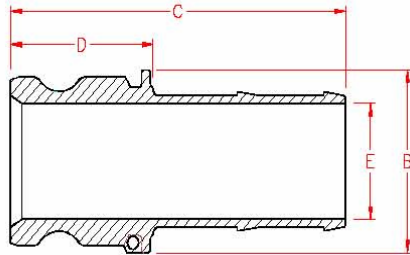
REF	DESCRIPTION	UNIT	PART A (ADAPTER X FEMALE THREAD)											
	COUPLER OR ADAPTER SIZE	in	0.50	0.75	0.75	1.00	1.25	1.50	2.00	2.50	3.00	4.00	5.00	6.00
	THREAD SIZE	in	0.50	0.50	0.75	1.00	1.25	1.50	2.00	2.50	3.00	4.00	5.00	6.00
C	OVERALL LENGTH	in	1.60	1.62	1.62	1.91	2.16	2.29	2.54	2.75	2.84	3.16	3.22	3.35
		mm	41	41	41	49	55	58	65	70	72	80	82	85
E	INSIDE DIAMETER	in	0.56	0.66	0.75	0.88	1.04	1.35	1.72	2.14	2.80	3.78	4.79	5.9
		mm	14	17	19	22	26	34	44	54	71	96	122	150
F	ACROSS CORNERS	in	1.12	1.49	1.49	1.76	2.19	2.44	2.92	3.49	4.22	5.41	6.49	7.7
		mm	28	38	38	45	56	62	74	89	107	137	165	196
G	CHAIN LUG EXTENSION	in	0.33	0.33	0.33	0.33	0.38	0.38	0.38	0.38	0.38	0.38	0.38	0.38
		mm	8	8	8	8	10	10	10	10	10	10	10	10

REF	DESCRIPTION	UNIT	PART B (ADAPTER X MALE THREAD)											
	COUPLER OR ADAPTER SIZE	in	0.50	0.75	0.75	1.00	1.25	1.50	2.00	2.50	3.00	4.00	5.00	6.00
	THREAD SIZE	in	0.50	0.50	0.75	1.00	1.25	1.50	2.00	2.50	3.00	4.00	5.00	6.00
A	O.D. WITH CAM ARMS EXTENDED	in	4.21	4.51	4.51	5.10	6.86	7.16	7.54	8.03	9.56	10.66	11.67	16.26
		mm	107	115	115	130	174	182	192	204	243	271	296	413
B	OUTSIDE DIAMETER	in	1.82	2.11	2.11	2.44	3.26	3.56	3.94	4.43	5.46	6.56	7.57	10.16
		mm	46	54	54	62	83	90	100	113	139	167	192	258
C	OVERALL LENGTH	in	2.10	2.10	2.10	2.50	2.89	2.93	3.20	3.63	3.82	4.00	4.2	4.52
		mm	53	53	53	64	73	74	81	92	97	102	107	115
D	EXPOSED LENGTH	in	1.25	1.25	1.25	1.56	1.84	1.88	2.15	2.15	2.27	2.34	2.44	2.62
		mm	32	32	32	40	47	48	55	55	58	59	62	67
E	INSIDE DIAMETER	in	0.56	0.56	0.78	0.97	1.25	1.50	1.88	2.35	2.88	3.6	4.5	5.6
		mm	14	14	20	25	32	38	48	60	73	91	114	142

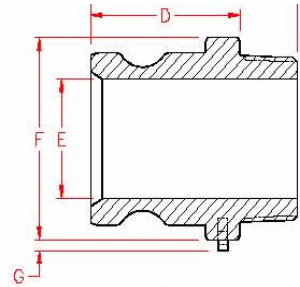
REF	DESCRIPTION	UNIT	PART C (ADAPTER X HOSE SHANK)											
	COUPLER OR ADAPTER SIZE	in	0.50	0.75	0.75	1.00	1.25	1.50	2.00	2.50	3.00	4.00	5.00	6.00
	HOSE SHANK SIZE	in	0.50	0.50	0.75	1.00	1.25	1.50	2.00	2.50	3.00	4.00	5.00	6.00
A	O.D. WITH CAM ARMS EXTENDED	in	4.21	4.51	4.51	5.10	6.86	7.16	7.54	8.03	9.56	10.66	11.67	16.26
		mm	107	115	115	130	174	182	192	204	243	271	296	413
B	OUTSIDE DIAMETER	in	1.82	2.11	2.11	2.44	3.26	3.56	3.94	4.43	5.46	6.56	7.57	10.16
		mm	46	54	54	62	83	90	100	113	139	167	192	258
C	OVERALL LENGTH	in	2.69	2.70	3.55	4.06	4.44	4.82	5.53	5.93	6.32	6.64	7.24	9.5
		mm	68	69	90	103	113	122	140	151	161	169	184	241
D	EXPOSED LENGTH	in	1.25	1.25	1.25	1.56	1.84	1.88	2.15	2.15	2.27	2.34	2.44	2.7
		mm	32	32	32	40	47	48	55	55	58	59	62	69
E	INSIDE DIAMETER	in	0.56	0.56	0.78	0.78	0.97	1.22	1.71	2.15	2.65	3.53	4.53	5.53
		mm	14	14	20	20	25	31	43	55	67	90	115	140

REF	DESCRIPTION	UNIT	PART D (ADAPTER X FEMALE THREAD)											
	COUPLER OR ADAPTER SIZE	in	0.50	0.75	0.75	1.00	1.25	1.50	2.00	2.50	3.00	4.00	5.00	6.00
	THREAD SIZE	in	0.50	0.50	0.75	1.00	1.25	1.50	2.00	2.50	3.00	4.00	5.00	6.00
A	O.D. WITH CAM ARMS EXTENDED	in	4.21	4.51	4.51	5.10	6.86	7.16	7.54	8.03	9.56	10.66	11.67	16.26
		mm	107	115	115	130	174	182	192	204	243	271	296	413
B	OUTSIDE DIAMETER	in	1.82	2.11	2.11	2.44	3.26	3.56	3.94	4.43	5.46	6.56	7.57	10.16
		mm	46	54	54	62	83	90	100	113	139	167	192	258
C	OVERALL LENGTH	in	2.00	2.10	2.10	2.50	2.70	2.89	3.10	3.40	3.50	3.90	4.1	4.4
		mm	51	53	53	64	69	73	79	86	89	99	104	112
E	INSIDE DIAMETER	in	0.67	0.67	0.88	0.97	1.25	1.50	1.88	2.38	2.88	3.6	4.5	5.5
		mm	17	17	22	25	32	38	48	60	73	91	114	140

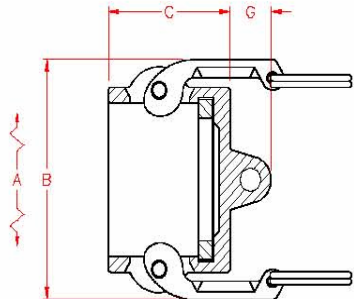
QINGDAO V. G. R. CO. LTD
QUICK COUPLER GENERAL DIMENSIONS



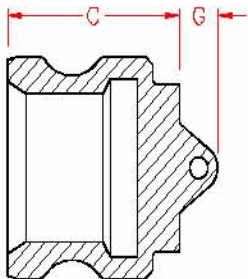
E



F



DC



DP

REF	DESCRIPTION	UNIT	PART E (ADAPTER X HOSE SHANK)											
	COUPLER OR ADAPTER SIZE	in	0.50	0.75	0.75	1.00	1.25	1.50	2.00	2.50	3.00	4.00	5.00	6.00
	HOSE SHANK SIZE	in	0.50	0.50	0.75	1.00	1.25	1.50	2.00	2.50	3.00	4.00	5.00	6.00
B	OUTSIDE DIAMETER	in	1.30	2.11	2.11	2.44	3.26	3.56	3.94	4.43	5.46	6.56	7.57	10.16
		mm	33	54	54	62	83	90	100	113	139	167	192	258
C	OVERALL LENGTH	in	3.25	3.25	3.55	4.06	4.44	4.82	5.53	5.93	6.32	6.64	7.24	9.5
		mm	83	83	90	103	113	122	140	151	161	169	184	241
D	EXPOSED LENGTH	in	1.50	1.50	1.50	1.84	1.84	1.88	2.15	2.15	2.27	2.34	2.44	2.7
		mm	38	38	38	47	47	48	55	55	58	59	62	69
E	INSIDE DIAMETER	in	0.56	0.56	0.78	0.78	0.97	1.22	1.71	2.15	2.65	3.53	4.53	5.53
		mm	14	14	20	20	25	31	43	55	67	90	115	140
REF	DESCRIPTION	UNIT	PART F (ADAPTER X MALE THREAD)											
	COUPLER OR ADAPTER SIZE	in	0.50	0.75	0.75	1.00	1.25	1.50	2.00	2.50	3.00	4.00	5.00	6.00
	THREAD SIZE	in	0.50	0.50	0.75	1.00	1.25	1.50	2.00	2.50	3.00	4.00	5.00	6.00
C	OVERALL LENGTH	in	2.15	2.47	2.47	2.89	3.23	3.29	3.57	4.18	4.37	4.79	4.91	5.20
		mm	55	63	63	73	82	84	91	106	111	122	125	132
D	EXPOSED LENGTH	in	1.50	1.67	1.67	1.99	2.23	2.31	2.57	2.78	2.87	3.19	3.21	3.40
		mm	38	42	42	51	57	59	65	71	73	81	82	86
E	INSIDE DIAMETER	in	0.56	0.56	0.75	0.85	1.04	1.34	1.72	2.14	2.80	3.78	4.79	5.84
		mm	14	14	19	22	26	34	44	54	71	96	122	148
F	MAX. ACROSS CORNERS	in	1.15	1.42	1.42	1.75	2.16	2.44	2.84	3.45	4.07	5.27	6.39	7.7
		mm	29	36	36	44	55	62	72	88	103	134	162	196
G	CHIN LUG EXTENSION	in	0.33	0.33	0.33	0.33	0.38	0.38	0.38	0.38	0.38	0.38	0.38	0.38
		mm	8	8	8	8	10	10	10	10	10	10	10	10
REF	DESCRIPTION	UNIT	PART DC (ADAPTER X COUPLER DUST CAP)											
	COUPLER OR ADAPTER SIZE	in	0.50	\	0.75	1.00	1.25	1.50	2.00	2.50	3.00	4.00	5.00	6.00
A	O.D. WITH CAM ARMS EXTENDED	in	4.21	\	4.51	5.10	6.86	7.16	7.54	8.03	9.56	10.66	11.67	16.26
		mm	107	\	115	130	174	182	192	204	243	271	296	413
B	OUTSIDE DIAMETER	in	1.82	\	2.11	2.44	3.26	3.56	3.94	4.43	5.46	6.56	7.57	10.16
		mm	46	\	54	62	83	90	100	113	139	167	192	258
C	OVERALL LENGTH	in	1.30	\	1.35	1.60	1.89	1.96	2.25	2.28	2.28	2.34	2.44	2.76
		mm	33	\	34	41	48	50	57	58	58	59	62	70
G	CHIN LUG EXTENSION	in	0.56	\	0.56	0.62	0.62	0.86	0.76	0.90	0.99	0.99	1.15	1.15
		mm	14	\	14	16	16	22	19	23	25	25	29	29
REF	DESCRIPTION	UNIT	PART DP (ADAPTER DUST PLUG)											
	COUPLER OR ADAPTER SIZE	in	0.50	\	0.75	1.00	1.25	1.50	2.00	2.50	3.00	4.00	5.00	6.00
C	OVERALL LENGTH	in	1.08	\	1.41	1.35	1.94	1.94	2.06	2.03	2.10	2.44	2.63	2.76
		mm	27	\	36	34	49	49	52	52	53	62	67	70
G	CHIN LUG EXTENSION	in	0.56	\	0.56	0.62	0.62	0.70	0.76	0.81	1.00	1	0.85	1
		mm	14	\	14	16	16	18	19	21	25	25	22	25

Note: This table is general dimensions of quick coupler. If the data is changed, without notice, please understand. Qingdao VGR With interpretation. If you need the latest data, please send request email (qingdaovgr@gmail.com) or visit our website (www.vgrmachine.com). Thank you.